

SUNTA MOTOR ELECTRIC LTD.

MODEL NO. 4510D*-*SERIES

Size: 45*45*10mm.

Motor: Brushless DC Motor

Motor protected: 1, Polarity + impedance. (ZP)

Frame(Housing): PBT + 30% fiber glass. Black color, UL94V-0.

Impeller: PBT + 30% fiber glass. Black color, UL94V-0.

Lead wire: 1007#26AWG. UL/CSA.

Insulation resistance: Min.10M Ohm at 500 VDC between terminal and the frame.

Dielectric Strength: 1 min at 800 VAC.50/60 HZ.

Bearing type: B: 2 ball bearing. Sleeve bearing S: one Sleeve bearing

Operating Temp: Ball bearing: within-20~80 degree C

Sleeve bearing: within-10~56 degree C

Sleeve bearing: within -10~56 degree C

Life expectancy: Ball bearing: 50,000 hours at 60 degree C.

Sleeve bearing: 20,000 hours at 45 degree C.

Above measurements Tem. at: Within 20~30 degree C.

Above measurements humidity at: 65%+-15%.

Safety Approvals: CE

Net weight :

CONNECTOR: L: lead wire



MODEL NO.	RATED	RATED	RATED	VOLTAGE	MAX. AIR		MAX.AIR		NOISE
	VDC	AMP	RPM	RATED VDC	FLOW	PRESSURE	NCH/H2C	DBA	
	VDC	A	RPM	VDC	CMM	CFM	MM/H2O	NCH/H2C	DBA
4010D05-HBPL	5	0.30	6300	4~8	0.328	11.6	4.57	0.180	30
4010D05-HSPL									
4010D05-MBPL		0.18	5000						
4010D05-MSPL									
4010D1-HBPL	12	0.09	6300	6~13.8	0.328	11.6	4.6	0.180	30
4010D1-HSPL									
4010D1-MBPL		0.06	5000						
4010D1-MSPL									
4010D2-HBPL	24	0.04	6300	16~28	0.328	11.6	4.6	0.180	30
4010D2-HSPL									
4010D2-MBPL		0.03	5000						
4010D2-MSPL									

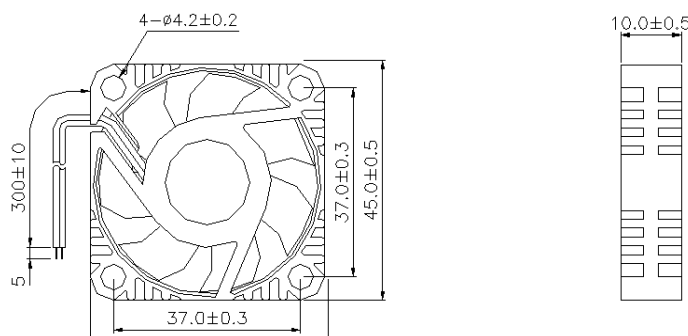
Remark :

- The above specification data are for reference only, general data tolerance $\pm 10\%$
- Ball Bearing types are 2 Ball Bearing
- Special design are requested available, please inform us now.
- Sunta reserves the right to change the data without notice.

Optional Function and Lead wire color

FG : Tachometer speed sensor output signal , open collector 2 square waves per revolution ,
lead wire color is white

RD: Alarm output signal : (motor run-Low. motor stop-High). lead wire color is yellow.



45.0 ± 0.5
Rotation

Air Flow